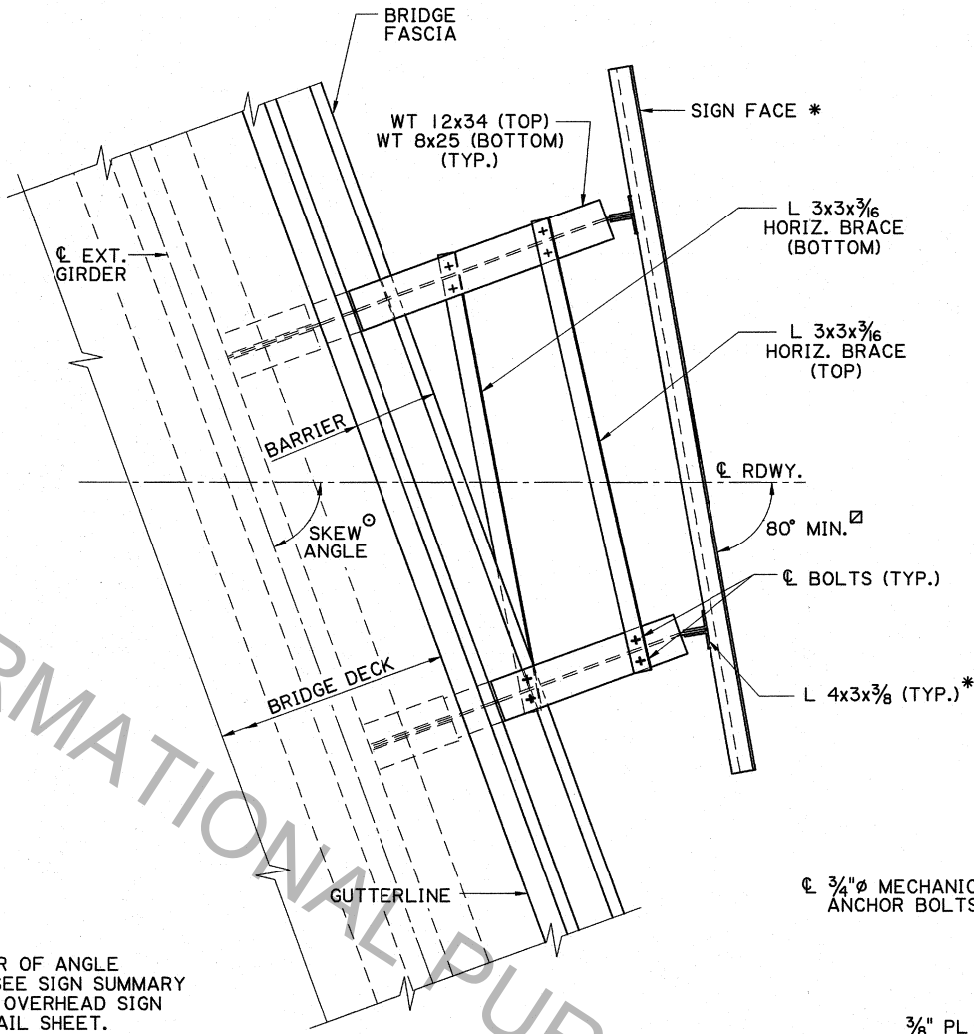
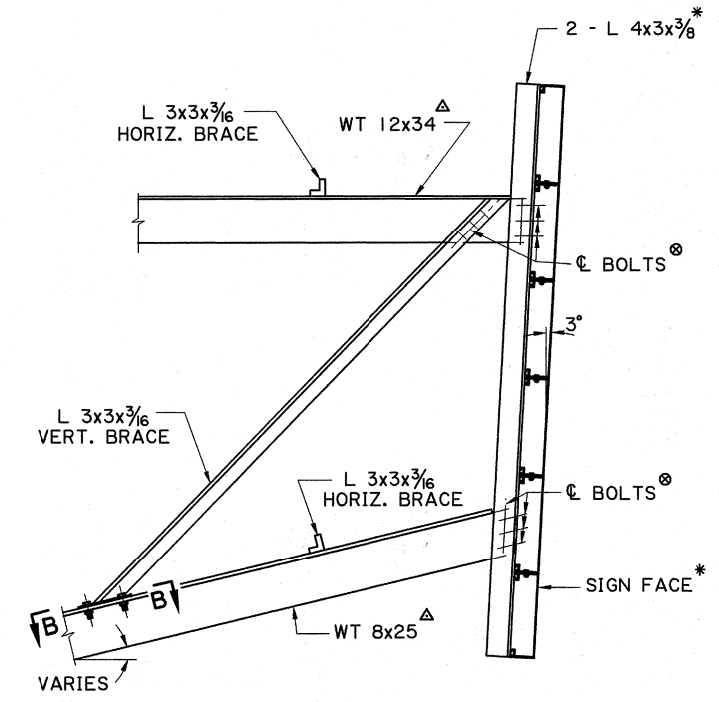


3 SUPPORT SIGN

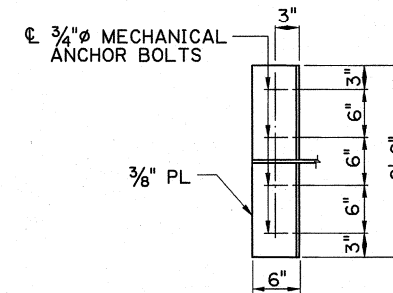
NOTE:  
FOR NUMBER OF ANGLE  
SUPPORTS SEE SIGN SUMMARY  
SHEET AND OVERHEAD SIGN  
BLANK DETAIL SHEET.



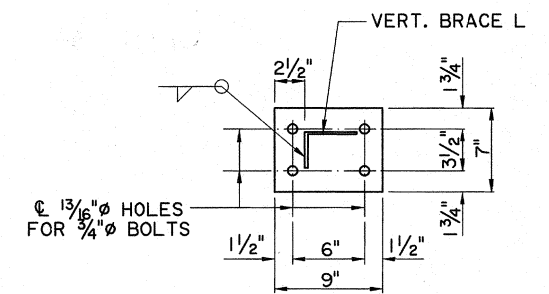
2 SUPPORT SIGN



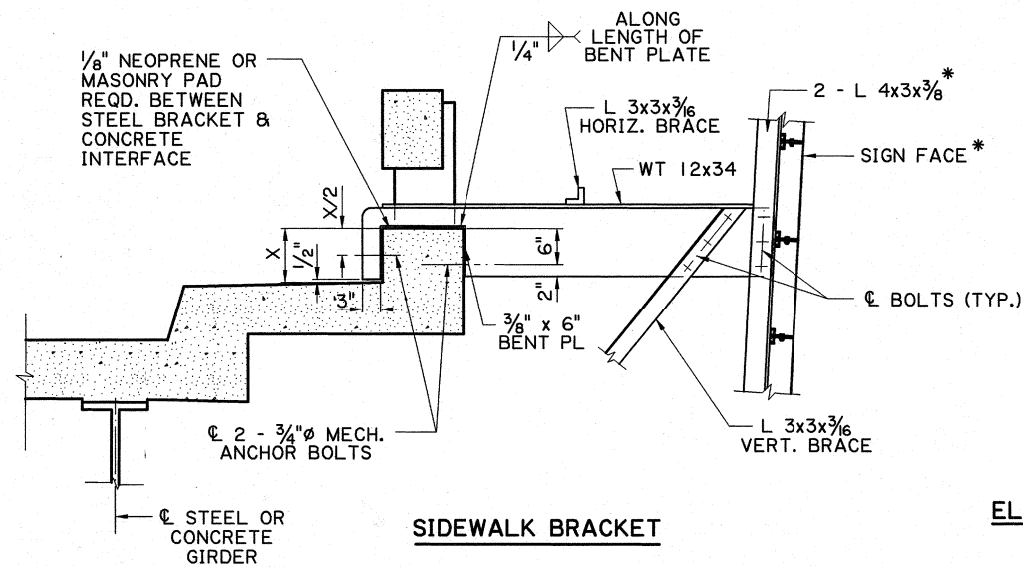
SIGN CONNECTION DETAIL



SECTION A-A

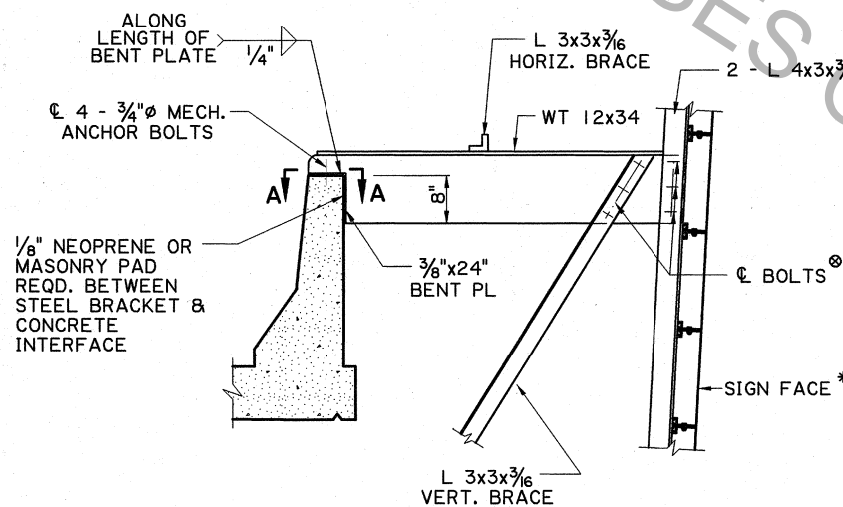


SECTION B-B



SIDEWALK BRACKET

ELEVATION

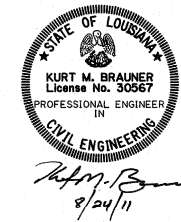


BARRIER RAIL BRACKET

LATERAL AND VERTICAL BRACING DETAILS

NOTES:

- THIS SHEET TO BE USED WITH WIND LOAD MAP AND GENERAL NOTE SHEET. ALL BRACKET MEMBERS SHALL BE STEEL (A36) AND GALVANIZED UNLESS OTHERWISE NOTED.
- \* PAYMENT TO BE UNDER ITEM 729-06-00100.
- △ SLOT ONE HOLE AND FIELD DRILL THE OTHERS
- △ LENGTH VARIES
- 35° ≤ SKEW ANGLE ≤ 80°
- WHEN USED OVER A CURVED SECTION OF ROADWAY, THE ANGLE SHALL BE ADJUSTED TO PLACE SIGN PERPENDICULAR TO THE CURVE OR AS DIRECTED BY THE PROJECT ENGINEER.



SHEET NUMBER	PARISH	FEDERAL PROJECT	STATE
DESIGNED BY K. BRAUNER	CHECKED BY P. FOSSIER	DATE JAN. 2011	PROJECT 16 OF 16
REVISION DESCRIPTION	BY	DATE	
<b>FASICA MOUNTED BRACKETS (STEEL)</b>			
BD.2.7.1.0.16 - OVERHEAD TRAFFIC SIGNS			
BRIDGE AND STRUCTURAL DESIGN			